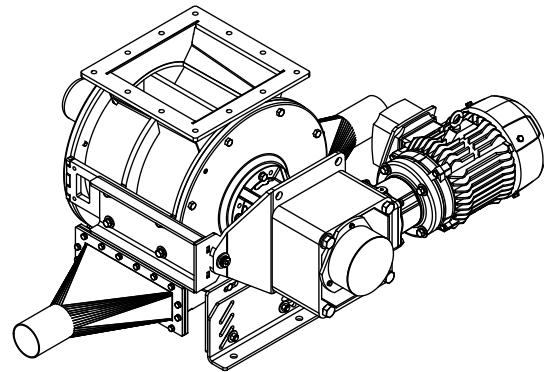
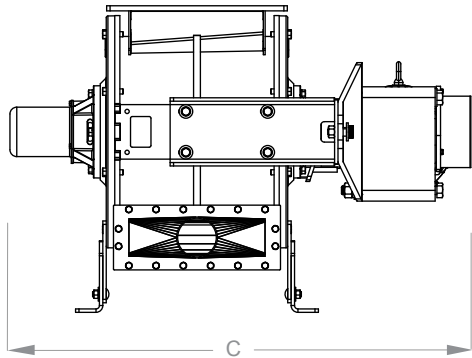




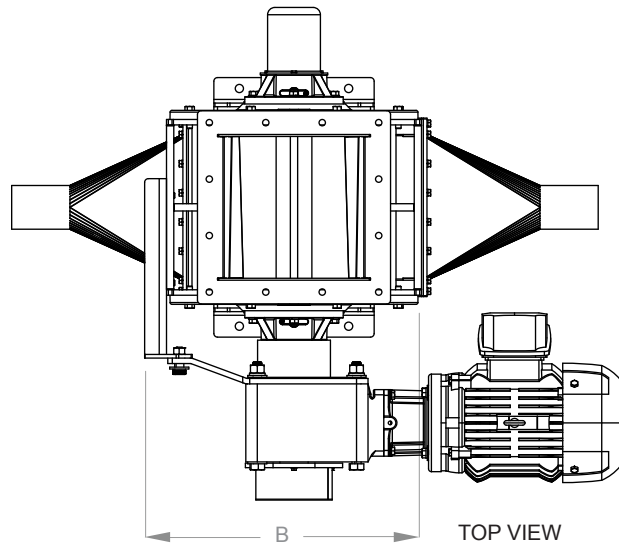
VD SERIES DIRECT DRIVE AIRLOCKS

KICE INDUSTRIES, INC. / 5500 Mill Heights Drive / Park City, KS 67219 www.kice.com / sales@kice.com



SIDE VIEW

MODEL #	CU. FT / REV	A	B	C	EST. WEIGHT
VD 8x6x6	0.160	11 5/8"	26 7/8"	24 5/8"	188 lb
VD 10x8x8	0.330	17 1/4"	15"	26 5/8"	258 lb
VD 12x8x8	0.550	20 1/2"	17 3/8"	26 5/8"	326 lb
VD 14x10x10	0.670	22 1/2"	19"	29 3/4"	461 lb
VD 16x12x12	1.100	34 1/16"	20 7/8"	31 3/4"	536 lb
VD 18x12x12	1.450	25 1/16"	22 7/8"	32 3/16"	665 lb
VD 18x14x14	1.670	26 5/16"	22 7/8"	32 7/16"	700 lb
VD 20x12x12	1.840	29 1/4"	24 1/2"	34 1/8"	779 lb
VD 20x15x15	2.300	29 1/4"	24 1/2"	35 5/8"	829 lb
VD 24x15x15	3.200	33 5/8"	27 1/4"	37 5/8"	1031 lb



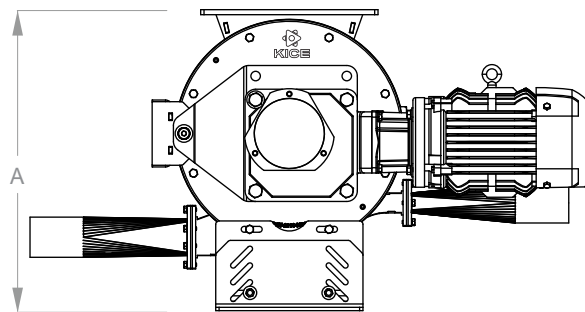
TOP VIEW

NOTES:

DIMENSIONS SHOWN MAY VARY DEPENDING ON JOB REQUIREMENTS

STANDARD CARBON STEEL HOUSING AND ROTOR

CAST IRON ENDPLATES



FRONT VIEW