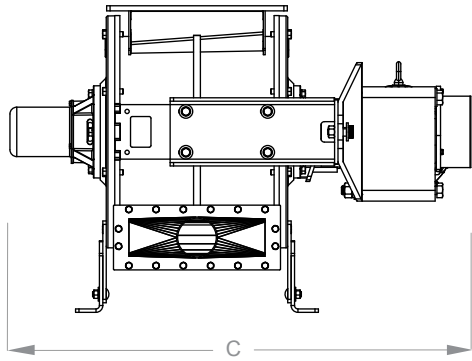


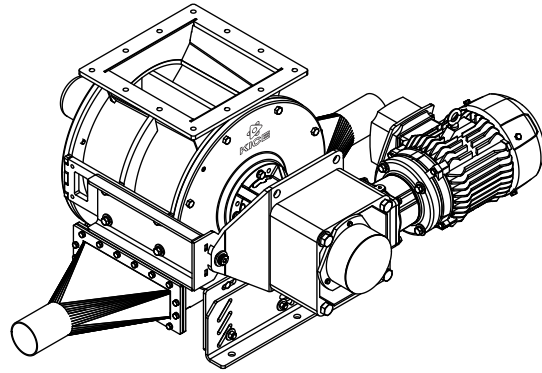


VDX SERIES DIRECT DRIVE AIRLOCKS

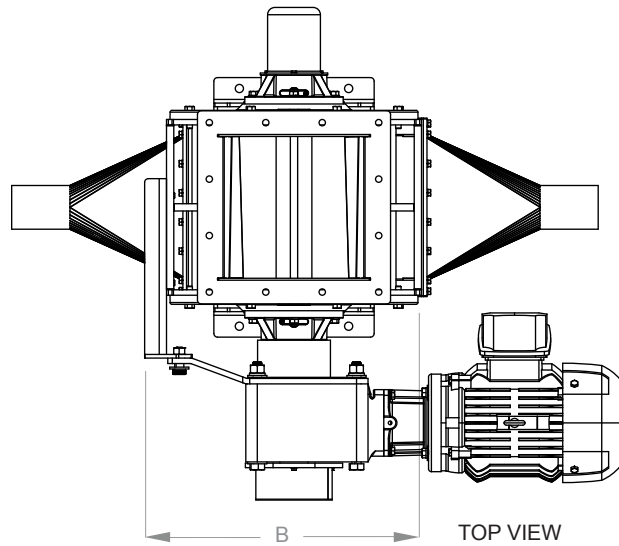
KICE INDUSTRIES, INC. / 5500 Mill Heights Drive / Park City, KS 67219 www.kice.com / sales@kice.com



SIDE VIEW

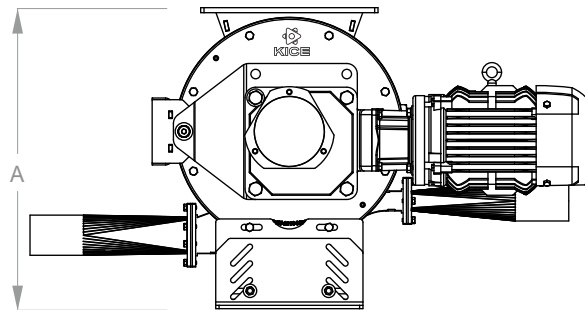


MODEL #	CU. FT / REV	A	B	C	EST. WEIGHT
VDX 8x6x6	0.160	11 5/8"	26 7/8"	24 5/8"	188 lb
VDX 10x8x8	0.330	17 1/4"	31 3/4"	15"	371 lb
VDX 12x8x8	0.550	20 1/2"	31 3/4"	17 3/8"	430 lb
VDX 14x10x10	0.670	22 1/2"	33 13/16"	19"	498 lb
VDX 16x12x12	1.100	24 1/16"	35 3/4"	20 7/8"	603 lb
VDX 18x12x12	1.450	25 1/16"	40 7/8"	22 7/8"	869 lb
VDX 18x14x14	1.670	26 5/16"	42 7/8"	22 7/8"	907 lb
VDX 20x12x12	1.840	29 1/4"	41 1/4"	24 1/2"	987 lb
VDX 20x15x15	2.300	29 1/4"	43 15/16"	24 1/4"	1032 lb
VDX 24x15x15	3.200	33 5/8"	43 7/8"	27 1/4"	1208 lb



TOP VIEW

NOTES:
 DIMENSIONS SHOWN MAY VARY DEPENDING ON JOB REQUIREMENTS
 STANDARD CARBON STEEL HOUSING AND ROTOR
 CAST IRON ENDPLATES



FRONT VIEW

VDX SERIES DIRECT DRIVE AIRLOCKS

DWG. NO.
 RAW-1023