

DUST DUCT CONFIGURATIONS NOTES:

KICE WHITE PAINT IS STANDARD FOR ALL CARBON STEEL

"-NP" PART NUMBER SUFFIX INDICATES NO PAINT

"-P" PART NUMBER SUFFIX INDICATES KICE WHITE PAINT (RAL-9002)

"-SP" PART NUMBER SUFFIX INDICATES SPECIAL PAINT

"-SBP" PART NUMBER SUFFIX INDICATES SANGATI BERGA PAINT (RAL-9003)

SEE STANDARD DRAWINGS FOR FLANGE INFORMATION

"-X" PART NUMBER SUFFIX, SEE EPICOR COMMENTS FOR FLANGE HOLE PATTERNS

SEE SPEED SPOUT MANUAL FOR SMALLER DIAMETERS

CONTACT KICE SALES OR QUICKSHIP FOR SPECIAL ITEMS NOT LISTED

GEN. NOTES:

1. COLLARS FOR DUST DUCT ARE DESIGNED TO BE CONNECTED BY DRAW-TYPE COUPLING.
2. FOR FLANGES, REFERENCE ESS-4501.
3. FOR SFS FLANGES; REFERENCE DWG FLG-1001.
4. SQUARE FLANGES; HOLES ON VERTICAL AND HORIZONTAL CENTERLINES.
5. SQUARE FLANGES; ALWAYS CENTER ONE HOLE IN EACH CORNER.
6. SQUARE FLANGES; BOLT HOLE IN CORNER; FIRST BOLT HOLE FROM CORNER TO BE NO LESS THAN 3", NO GREATER THAN 6" - REMAINING BOLT HOLES ON 6" SPACING.
7. UNLESS OTHERWISE NOTED, ALL DIMENSIONS MEASURE FROM CENTER TO CENTER.
8. UNLESS OTHERWISE NOTED, DUST DUCT COMPONENTS ARE CONSTRUCTED OF 14 GA. CARBON STEEL.
9. STAINLESS STEEL DUCTING IS PER KICE STANDARD FINISH WITHOUT GLASS BEAD BLASTING. ONLY EXTERIOR WELDS WILL BE CONTINUOUS. INTERIOR JOINTS WELDED ONLY AS REQUIRED TO MAINTAIN EQUIPMENT INTEGRITY. WELD SPLATTER, SMOKE AND DISCOLORATION REMOVED, BUT THE WELD SURFACE WILL RETAIN ITS GENERAL BEAD CHARACTERISTICS AND PROFILE.

SQUARE/ RECTANGLE FLANGE SPECIFICATION TABLE

FLANGE LENGTH	WIDTH	THICKNESS
24" OR LESS	1 - 1/2"	3/16"
25" OR GREATER	1 - 1/2"	1/4"

REVISIONS

REV	DESCRIPTION	REV BY	DATE
1-0	NEW RELEASE	TJU	07-01-16
2-0	REVISED DIAMETER NOTE ON PG. 3 AND REVISED LENGTH NOTE ON PG, 8 TO CLARIFY SS PART NUMBERING SCOPE	TJU	08-15-16
3-0	E.C.N. #18-023-RO	MRM	08-24-18
4-0	E.C.N. #19-078-R0	MRM	02-20-19
5-0	E.C.N. #21-003-R0	JBR	08-20-21
6-0	E.C.N. #22-003-R1	JBR	08-04-22
7-0	E.C.N. #22-004-R0	JBR	10-19-22
8-0	ECO-100-016-820	JBR	05-02-24

DUST DUCT CATALOG

DESCRIPTION:



KICE INDUSTRIES, INC.

5500 MILL HEIGHTS DR. WICHITA, KANSAS 67219
PH: (316) 744-7151 FAX: (316) 744- 7355

SHEET 1 OF 13

REV 8-0

TJU
DWN:

07-01-16
DATE:

DUC-5001
DWG. NO.

KICE DUCT ELBOWS - ER & EL

ER - B14 - 16 - 90 - SFS - NF

TYPE

- ER - SHORT RADIUS
- EL - LONG RADIUS
- ERV - SHORT RADIUS WITH TURNING VANES
- ELV - LONG RADIUS WITH TURNING VANES

MATERIAL

- B - CARBON STEEL
- S - 304L STAINLESS STEEL
- S6 - 316L STAINLESS STEEL
- A - ALUMINUM

MATERIAL GAUGE

- CARBON STEEL
 - 14 GAUGE (STANDARD)
 - 12 GAUGE
- STAINLESS STEEL
 - 14 GAUGE (STANDARD)
 - 12 GAUGE
- ALUMINUM
 - 14 GAUGE (STANDARD)
 - 12 GAUGE

DIAMETER (A)

- ϕ 9" - ϕ 40"
- REFERENCE "EG" ELBOW FOR $\leq \phi$ 8"

ANGLE

- 45° - 90°

CONNECTION TYPE ON END #1

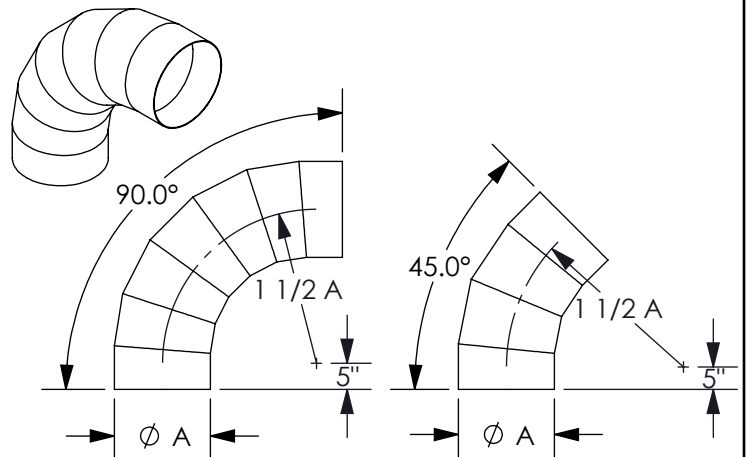
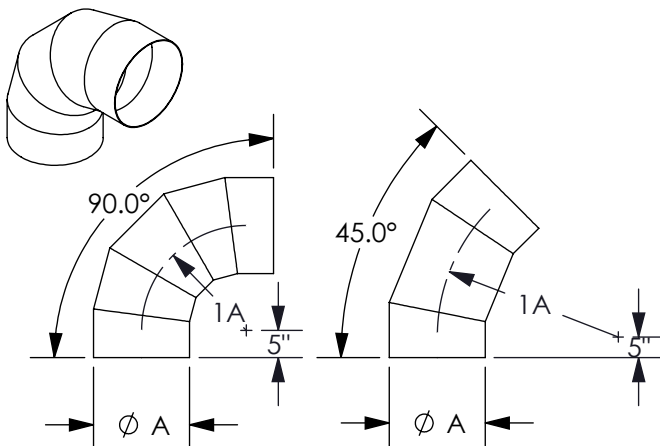
- SFS - SLOTTED HOLE FLANGE
- SFA - LOOSE ANGLE RING FLANGE
- NF - NO FLANGE
- KICE STANDARD: NO FLANGES $\leq \phi$ 12", FLANGES $\geq \phi$ 13"

CONNECTION TYPE ON END #2

- SFS - SLOTTED HOLE FLANGE
- SFA - LOOSE ANGLE RING FLANGE
- NF - NO FLANGE
- KICE STANDARD: NO FLANGES $\leq \phi$ 12", FLANGES $\geq \phi$ 13"

ER FITTING

EL FITTING



DUST DUCT CATALOG

DESCRIPTION:



KICE INDUSTRIES, INC.

5500 MILL HEIGHTS DR. WICHITA, KANSAS 67219
 PH: (316) 744-7151 FAX: (316) 744-7355

SHEET 2 OF 13

REV 8-0

TJU

07-01-16

DUC-5001

DWN:

DATE:

DWG. NO.

KICE DUST DUCT BRANCH FITTINGS - BS, BD, YP, YA

BS - B14 - 16SFS - 15SFS - 13SFS - 12NF

TYPE _____

- BS - SINGLE BRANCH
- BD - DOUBLE BRANCH
- YP - INLINE BRANCH
- YA - ANGLE BRANCH

MATERIAL _____

- B - CARBON STEEL
- S - 304L STAINLESS STEEL
- S6 - 316L STAINLESS STEEL
- A - ALUMINUM

MATERIAL GAUGE _____

- CARBON STEEL
 - 14 GAUGE (STANDARD)
 - 12 GAUGE
- STAINLESS STEEL
 - 14 GAUGE (STANDARD)
 - 12 GAUGE
- ALUMINUM
 - 14 GAUGE (STANDARD)
 - 12 GAUGE

DIAMETER (A) _____

Ø 3" - Ø 40"

DIAMETER (B) _____

Ø 3" - Ø 40"

DIAMETER (C) _____

Ø 3" - Ø 40"

DIAMETER (D) _____

Ø 9" - Ø 40"

CONNECTION TYPE ON A, B, C & D ENDS _____

- SFS - SLOTTED HOLE FLANGE
- SFA - LOOSE ANGLE RING FLANGE
- NF - NO FLANGE
- KICE STANDARD: NO FLANGES ≤ Ø 12", FLANGES ≥ Ø 13"
- NO VAN STONE OPTION ON BRANCH FITTINGS

DUST DUCT CATALOG

DESCRIPTION:



KICE INDUSTRIES, INC.

5500 MILL HEIGHTS DR. WICHITA, KANSAS 67219
 PH: (316) 744-7151 FAX: (316) 744-7355

SHEET 3 OF 13

REV 8-0

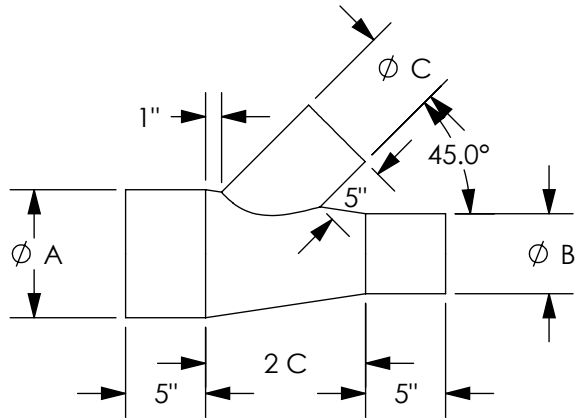
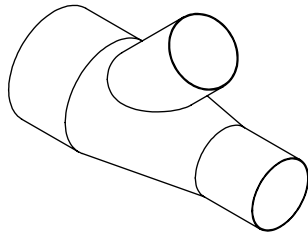
TJU
DWN:

07-01-16
DATE:

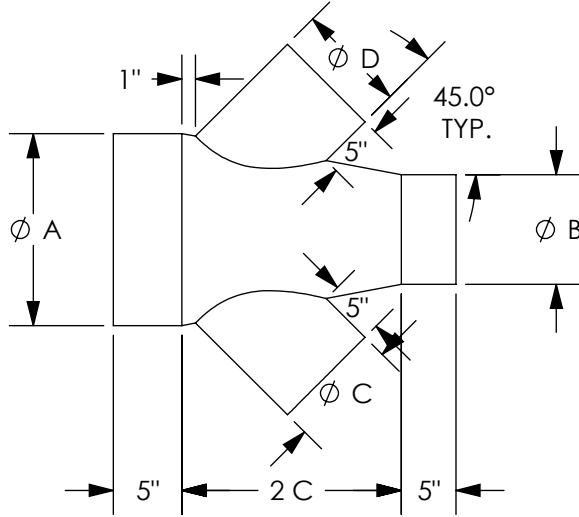
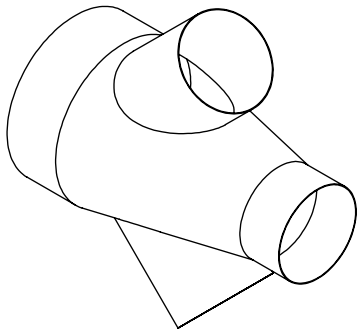
DUC-5001
DWG. NO.

KICE DUST DUCT BRANCH FITTINGS - BS, BD, YP, YA

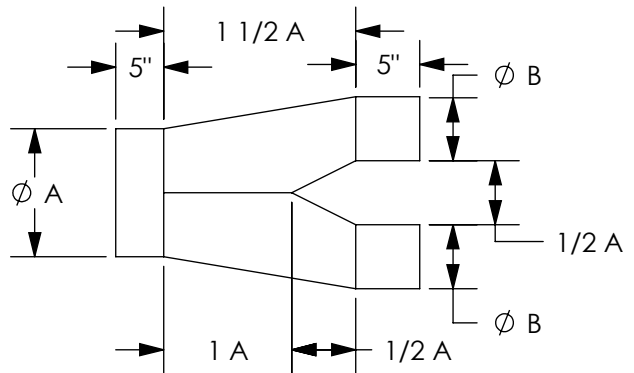
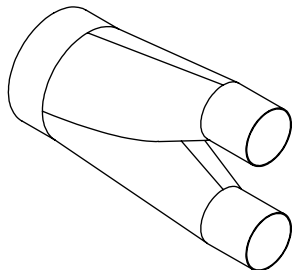
BS FITTING



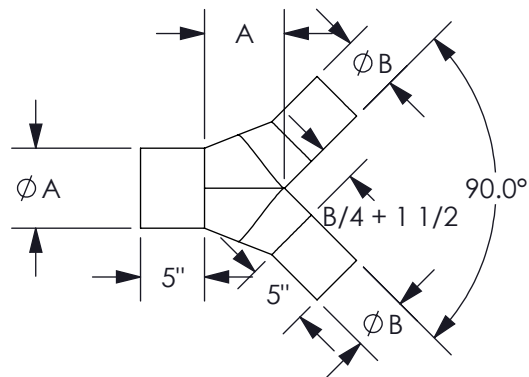
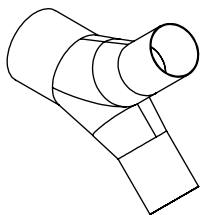
BD FITTING



YP FITTING



YA FITTING



DUST DUCT CATALOG

DESCRIPTION:



KICE INDUSTRIES, INC.

5500 MILL HEIGHTS DR. WICHITA, KANSAS 67219
PH: (316) 744-7151 FAX: (316) 744-7355

SHEET 4 OF 13

REV 8-0

TJU

07-01-16

DUC-5001

DWN:

DATE:

DWG. NO.

KICE DUST DUCT SECTION TAPER - ST

ST - B14 - 13SFS - 15SFS - 16

TYPE _____
ST - REDUCER (STRAIGHT)

MATERIAL _____
B - CARBON STEEL
S - 304L STAINLESS STEEL
S6 - 316L STAINLESS STEEL
A - ALUMINUM

MATERIAL GAUGE _____
CARBON STEEL
14 GAUGE (STANDARD)
12 GAUGE
STAINLESS STEEL
14 GAUGE (STANDARD)
12 GAUGE
ALUMINUM
14 GAUGE (STANDARD)
12 GAUGE

DIAMETER (A) _____
 $\phi 7" - \phi 36"$

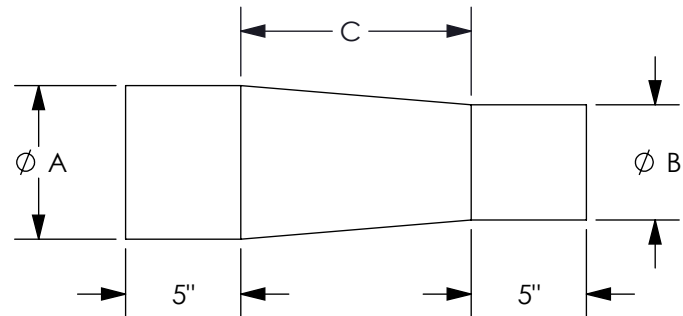
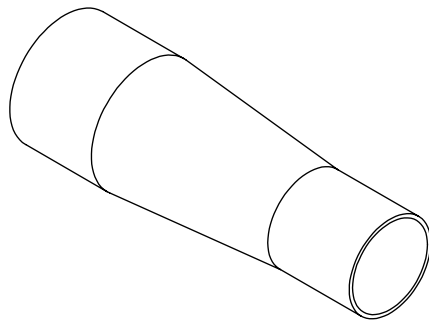
DIAMETER (B) _____
 $\phi 7" - \phi 36"$

CONNECTION TYPE ON END A & B _____
SFS - SLOTTED HOLE FLANGE
SFA - LOOSE ANGLE RING FLANGE
NF - NO FLANGE
KICE STANDARD: NO FLANGES $\leq \phi 12"$, FLANGES $\geq \phi 13"$

TOTAL LENGTH _____
DIMENSION C + 10"

ST FITTING

	DIA. DIFF.	C
A - B	1 - 5"	6"
	6 - 10"	12"
	11 - 15"	18"



DUST DUCT CATALOG
DESCRIPTION:



KICE INDUSTRIES, INC.

5500 MILL HEIGHTS DR. WICHITA, KANSAS 67219
PH: (316) 744-7151 FAX: (316) 744-7355

SHEET 5 OF 13

REV 8-0

TJU
DWN:

07-01-16
DATE:

DUC-5001
DWG. NO.

KICE DUST DUCT ROUND TRANSITION - RN, RS

RN - B14 - B SFS - A - C - D

TYPE

- RN - CENTER DISCHARGE
- RS - OFFSET DISCHARGE

MATERIAL

- B - CARBON STEEL
- S - 304L STAINLESS STEEL
- S6 - 316L STAINLESS STEEL
- A - ALUMINUM

MATERIAL GAUGE

CARBON STEEL

- 14 GAUGE (STANDARD)
- 12 GAUGE

STAINLESS STEEL

- 14 GAUGE (STANDARD)
- 12 GAUGE

ALUMINUM

- 14 GAUGE (STANDARD)
- 12 GAUGE

DIAMETER (B)

Ø 3" - Ø 40"

CONNECTION TYPE ON END

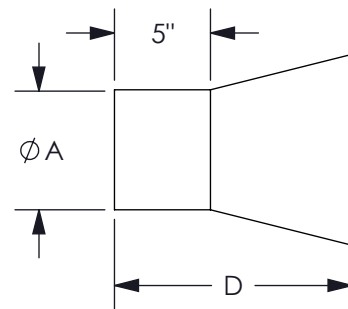
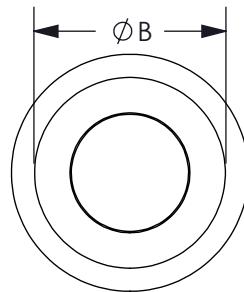
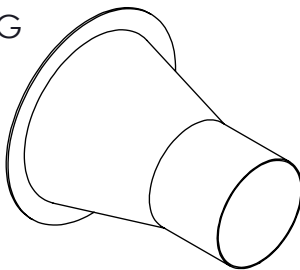
- SFS - SLOTTED HOLE FLANGE
- SFA - LOOSE ANGLE RING FLANGE
- NF - NO FLANGE
- KICE STANDARD: NO FLANGES ≤ Ø 12", FLANGES ≥ Ø 13"

OTHER SUPPLIED DIMENSIONS (A & C)

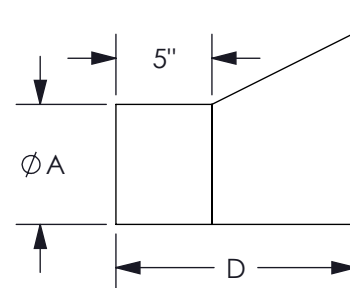
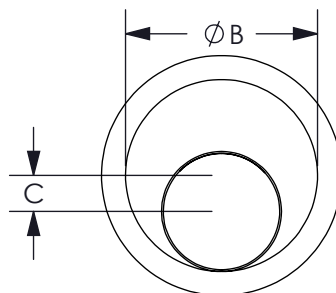
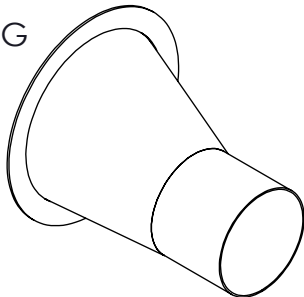
HOLE (D)

- SH - STANDARD HOLE
- NH - NO HOLE
- AP - AIRLOCK HOLE PATTERN

RN FITTING



RS FITTING



DUST DUCT CATALOG
DESCRIPTION:



KICE INDUSTRIES, INC.

5500 MILL HEIGHTS DR. WICHITA, KANSAS 67219
PH: (316) 744-7151 FAX: (316) 744-7355

SHEET 6 OF 13

REV 8-0

TJU

07-01-16

DUC-5001

DWN:

DATE:

DWG. NO.

KICE DUST DUCT TRANSITION - TN, TS, TC

TN - B14 - A SFS - B - C - D - E

TYPE

- TC - CORNER OFFSET DISCHARGE
- TN - CENTER DISCHARGE
- TS - OFFSET DISCHARGE

MATERIAL

- B - CARBON STEEL
- S - 304L STAINLESS STEEL
- S6 - 316L STAINLESS STEEL
- A - ALUMINUM

MATERIAL GAUGE

- CARBON STEEL
 - 14 GAUGE (STANDARD)
 - 12 GAUGE
- STAINLESS STEEL
 - 14 GAUGE (STANDARD)
 - 12 GAUGE
- ALUMINUM
 - 14 GAUGE (STANDARD)
 - 12 GAUGE

DIAMETER (A)

Ø3" - Ø40"

CONNECTION TYPE ON END

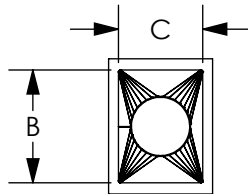
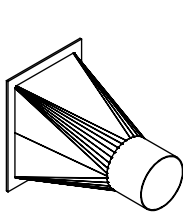
- SFS - SLOTTED HOLE FLANGE
- SFA - LOOSE ANGLE RING FLANGE
- NF - NO FLANGE
- KICE STANDARD: NO FLANGES ≤ Ø12", FLANGES ≥ Ø13"

OTHER SUPPLIED DIMENSIONS (B, C, & D)

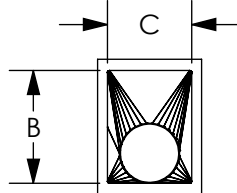
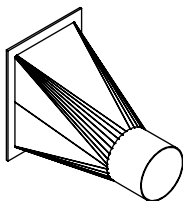
HOLE (E)

- SH - STANDARD HOLE (6" SPACING)
- NH - NO HOLE
- AP - AIRLOCK HOLE PATTERN

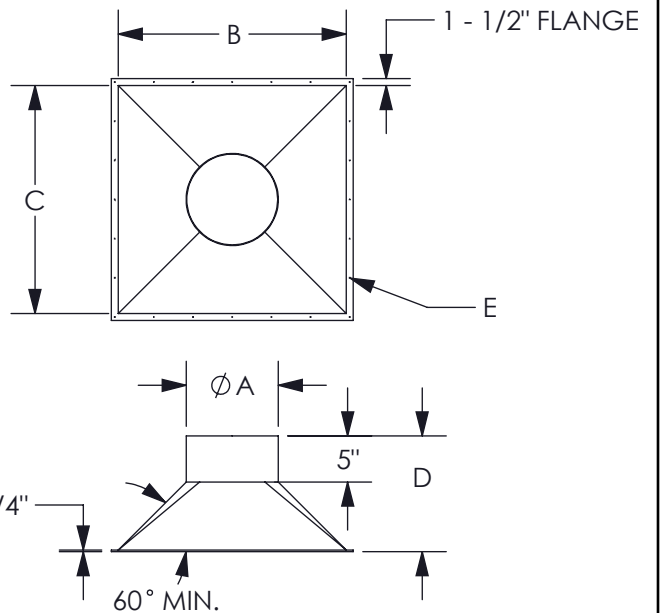
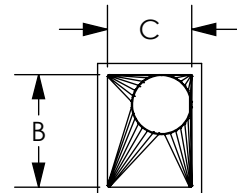
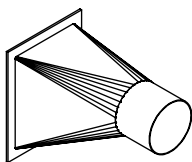
TN FITTING



TS FITTING



TC FITTING



DUST DUCT CATALOG

DESCRIPTION:



KICE INDUSTRIES, INC.

5500 MILL HEIGHTS DR. WICHITA, KANSAS 67219
PH: (316) 744-7151 FAX: (316) 744-7355

SHEET 7 OF 13

REV 8-0

TJU
DWN:

07-01-16
DATE:

DUC-5001
DWG. NO.

KICE DUST DUCT STRAIGHT SECTION - SS

SS - B14 - 12 - 60 - SFS - SFA

TYPE _____
 SS - STRAIGHT SECTION

MATERIAL _____
 B - CARBON STEEL
 S - 304L STAINLESS STEEL
 S6 - 316L STAINLESS STEEL
 A - ALUMINUM

MATERIAL GAUGE _____
 CARBON STEEL
 14 GAUGE (STANDARD)
 12 GAUGE
 STAINLESS STEEL
 14 GAUGE (STANDARD)
 12 GAUGE
 ALUMINUM
 14 GAUGE (STANDARD)
 12 GAUGE

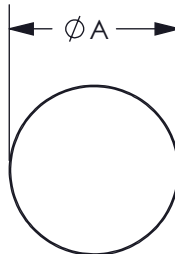
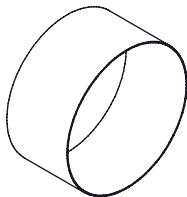
DIAMETER (A) _____
 $\phi 9"$, $\phi 11"$, $\phi 13 - 40"$
 REFER TO THE PRICE BOOK FOR OTHER DIAMETERS
 NOTE: $\phi 10"$ AND $\phi 12"$ PURCHASED TUBING USES PART NUMBER
 FORMAT LISTED ABOVE. $\phi 0 - 8"$ PURCHASED SPEED SPOUT
 TUBING USES PURCHASE PART NUMBER

LENGTH (B) _____
 $\phi 9"$, $\geq \phi 11"$ - 120" LENGTH
 $\phi 9"$, $\geq \phi 11"$ - 60" LENGTH
 $> \phi 40"$ - 60" LENGTH
 NOTE: 10" AND 12" PURCHASED TUBING USES THE PART NUMBER FORMAT
 LISTED ABOVE. 0 - 8" PURCHASED SPEED SPOUT TUBING USES
 NUMBER (20' LENGTH DEFAULT) IF LENGTH IS LESS THAN 20', SPECIFY
 LENGTH IN INCHES (ex. TUBERD14x5x27.75" CS)

CONNECTION TYPE ON END #1 _____
 SFS - SLOTTED HOLE FLANGE
 SFA - LOOSE ANGLE RING FLANGE
 NF - NO FLANGE
 KICE STANDARD: NO FLANGES $\phi 0" - 10"$, FLANGES $> \phi 10"$

CONNECTION TYPE ON END #2 _____
 SFS - SLOTTED HOLE FLANGE
 SFA - LOOSE ANGLE RING FLANGE
 NF - NO FLANGE
 KICE STANDARD: NO FLANGES $\phi 0" - 10"$, FLANGES $> \phi 10"$

SS FITTING



DUST DUCT CATALOG DESCRIPTION:	<p>KICE INDUSTRIES, INC. 5500 MILL HEIGHTS DR. WICHITA, KANSAS 67219 PH: (316) 744-7151 FAX: (316) 744-7355</p>	SHEET 8 OF 13	REV 8-0
		TJU DWN:	07-01-16 DATE:

KICE DUST DUCT SUPPORT RING - CR

CR - B - 8 - C

TYPE _____
 CR - SUPPORT RING

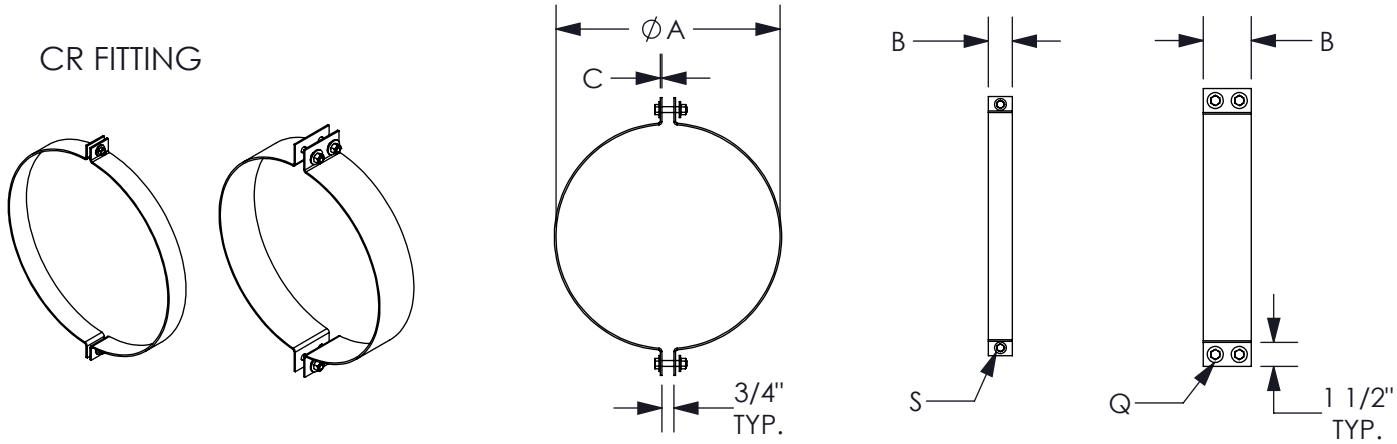
MATERIAL _____
 B - CARBON STEEL
 S - 304L STAINLESS STEEL
 S6 - 316L STAINLESS STEEL
 A - ALUMINUM

DIAMETER (A) _____
 > $\phi 3"$

COUPLING NUT INTERNAL USE ONLY _____
 3/8" - 16 x 1-3/4" LENGTH

A	B	C	Q	S
3" - 12"	2"	14 GA.	2	3/8-16
13" - 24"	3"	12 GA.	4	3/8-16
25" - 36"	3"	10 GA.	4	1/2-13
>37"	4"	3/16"	4	1/2-13

CR FITTING



KICE DUST DUCT FREE AIR INLET & CAP - CI, CP

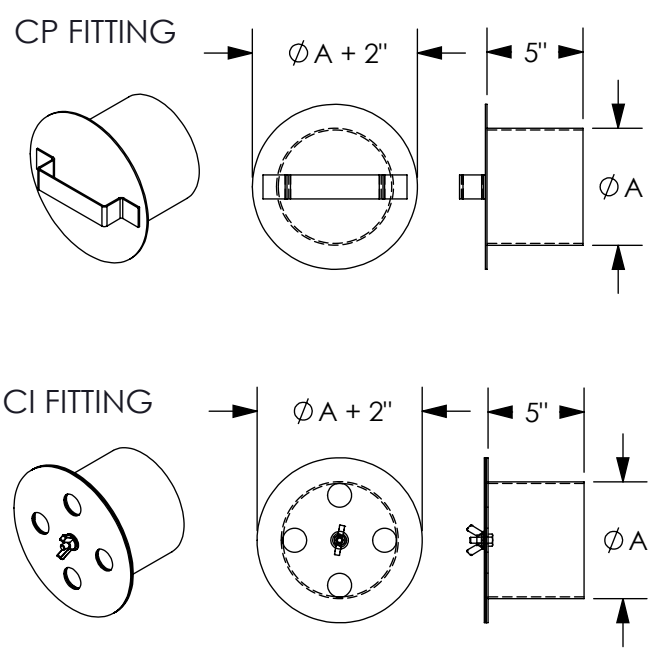
CI - B - 12NF

TYPE _____
 CI - FREE AIR INLET
 CP - CAP

MATERIAL _____
 B - CARBON STEEL
 S - 304L STAINLESS STEEL
 S6 - 316L STAINLESS STEEL
 A - ALUMINUM

DIAMETER (A) _____
 $\phi 6" - \phi 20"$

CONNECTION TYPE ON END _____
 SFS - SLOTTED HOLE FLANGE
 SFA - LOOSE ANGLE RING FLANGE
 NF - NO FLANGE (COUPLING REQUIRED)
 KICE STANDARD: NO FLANGES $\leq \phi 12"$, FLANGES $\geq \phi 13"$



KICE DUST DUCT ADAPTER - SA

SA - B14 - 12SFS

TYPE _____
SA - STRAIGHT SECTION ADAPTER

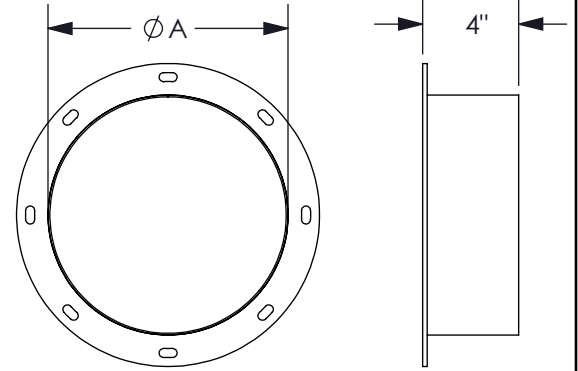
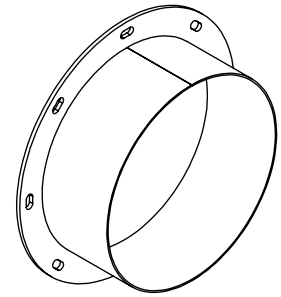
MATERIAL _____
B - CARBON STEEL
S - 304L STAINLESS STEEL
S6 - 316L STAINLESS STEEL
A - ALUMINUM

MATERIAL GAUGE _____
CARBON STEEL
14 GAUGE (STANDARD)
12 GAUGE
STAINLESS STEEL
14 GAUGE (STANDARD)
12 GAUGE
ALUMINUM
14 GAUGE (STANDARD)
12 GAUGE

DIAMETER (A) _____
> $\phi 6"$

CONNECTION TYPE ON END _____
SFS - SLOTTED HOLE FLANGE

SA FITTING



SEE FLANGE SPECIFICATION
TABLE ON SHEET 1

KICE DUST DUCT COUPLING - CC

CC - B - 11

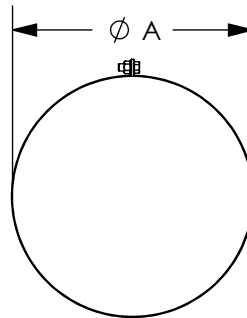
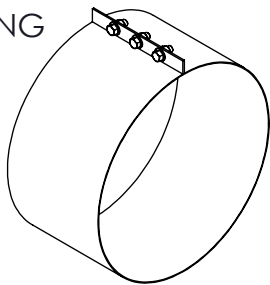
TYPE _____
CC - COUPLING

MATERIAL _____
B - CARBON STEEL
S - 304L STAINLESS STEEL
S6 - 316L STAINLESS STEEL

DIAMETER (A) _____
 $\phi 13" - \phi 39"$

LENGTH (B) _____
9.5" (STANDARD FOR $\geq \phi 13"$)

CC FITTING



DUST DUCT CATALOG

DESCRIPTION:



KICE INDUSTRIES, INC.

5500 MILL HEIGHTS DR. WICHITA, KANSAS 67219
PH: (316) 744-7151 FAX: (316) 744-7355

SHEET 10 OF 13

REV 8-0

TJU
DWN:

07-01-16
DATE:

DUC-5001
DWG. NO.

KICE DUST DUCT INSPECTION DOOR - CD

CD - B - 11

TYPE _____
 CD - DOOR (DOOR ONLY, NO TUBE SECTION)

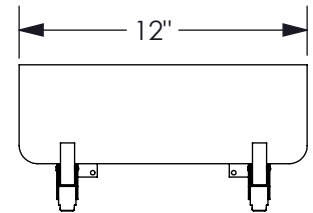
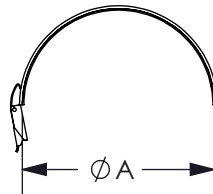
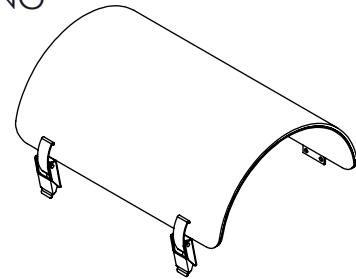
MATERIAL _____
 B - CARBON STEEL
 S - 304L STAINLESS STEEL
 S6 - 316L STAINLESS STEEL
 A - ALUMINUM

DIAMETER (A) _____
 $\phi 9'' - \phi 40''$

GEN NOTES:

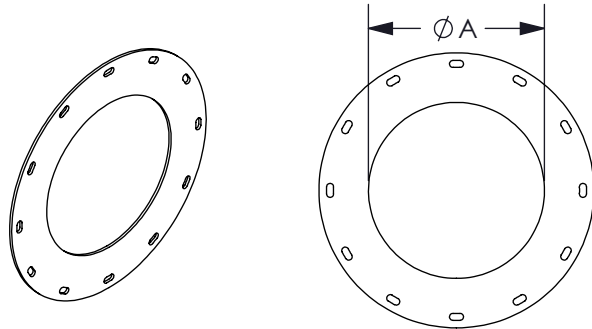
1. MATERIAL CONSTRUCTION 14 GAUGE.
2. INCLUDES FOOD GRADE RATED GASKET.
3. FOR DIAMETERS LESS THAN 9"; SEE 76 SERIES SPEED SPOUT.

CD FITTING

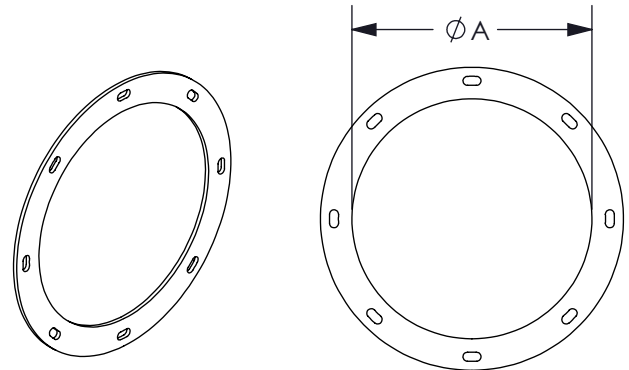


KICE 'NON-CONFIGURED' DUST DUCT ITEMS

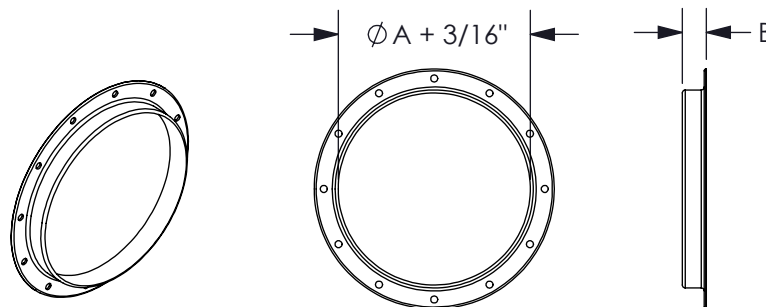
SFSI - SLOTTED HOLE FLANGE
 FOR INSULATION



SFS - SLOTTED HOLE FLANGE



SFA - ANGLE RING FLANGE



DUST DUCT CATALOG

DESCRIPTION:



KICE INDUSTRIES, INC.

5500 MILL HEIGHTS DR. WICHITA, KANSAS 67219
 PH: (316) 744-7151 FAX: (316) 744-7355

SHEET 11 OF 13

REV 8-0

TJU
 DWN:

07-01-16
 DATE:

DUC-5001
 DWG. NO.

KICE DUST DUCT DOOR SECTION - DS

DS - B14 - 12 - SFS - SFA

TYPE _____

DS - DOOR SECTION

MATERIAL _____

B - CARBON STEEL
S - 304L STAINLESS STEEL
S6 - 316L STAINLESS STEEL
A - ALUMINUM

MATERIAL GAUGE _____

CARBON STEEL
14 GAUGE (STANDARD)
12 GAUGE

STAINLESS STEEL
14 GAUGE (STANDARD)
12 GAUGE

ALUMINUM
14 GAUGE (STANDARD)
12 GAUGE

DIAMETER (A) _____

Ø 9" - Ø 40"

CONNECTION TYPE ON END #1 _____

SFS - SLOTTED HOLE FLANGE
SFA - LOOSE ANGLE RING FLANGE
NF - NO FLANGE
NO FLANGES ≤ Ø 10", FLANGES ≥ Ø 11"

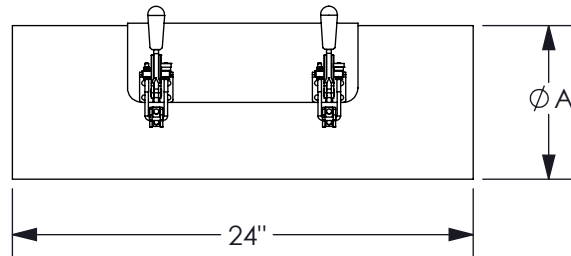
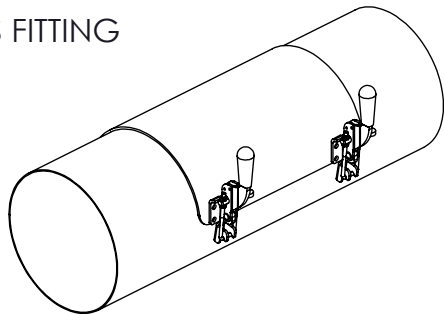
CONNECTION TYPE ON END #2 _____

SFS - SLOTTED HOLE FLANGE
SFA - LOOSE ANGLE RING FLANGE
NF - NO FLANGE
NO FLANGES ≤ Ø 10", FLANGES ≥ Ø 11"

GEN. NOTES:

1. DS FITTING CANNOT BE INSTALLED BETWEEN A FILTER OR CYCLONE AND AN EXPLOSION ISOLATION DEVICE.
2. INCLUDES FOOD GRADE RATED GASKET.
3. DOOR ATTACHED WITH FULL LENGTH PIANO STYLE HINGE.
4. INSIDE OF DOOR INCLUDES LAMINATE WITH SAME THICKNESS AND MATERIAL OF DUCT.
5. INCLUDES 2 DESTACO TYPE LATCHES THAT CAN BE ADJUSTED FOR SECURE CLOSURE.
6. FOR DIAMETERS LESS THAN 9"; SEE 75 SERIES SPEED SPOUT.

DS FITTING



DUST DUCT CATALOG DESCRIPTION:	<p>KICE INDUSTRIES, INC. 5500 MILL HEIGHTS DR. WICHITA, KANSAS 67219 PH: (316) 744-7151 FAX: (316) 744- 7355</p>	SHEET 12 OF 13		REV 8-0
		TJU DWN:	07-01-16 DATE:	DUC-5001 DWG. NO.

KICE DUCT ELBOW - EG

EG - B14 - 4 - 90 - SFS - NF

TYPE _____

- EG - SHORT RADIUS
- EGV - SHORT RADIUS WITH TURNING VANES

MATERIAL _____

- B - CARBON STEEL
- S - 304L STAINLESS STEEL
- S6 - 316L STAINLESS STEEL
- A - ALUMINUM

MATERIAL GAUGE _____

- CARBON STEEL
 - 14 GAUGE (STANDARD)
 - 12 GAUGE
- STAINLESS STEEL
 - 14 GAUGE (STANDARD)
 - 12 GAUGE
- ALUMINUM
 - 14 GAUGE (STANDARD)
 - 12 GAUGE

DIAMETER (A) _____

- $\phi 2-1/2"$, $\phi 3"$, $\phi 4"$, $\phi 4-1/2"$, $\phi 5"$, $\phi 5-1/2"$, $\phi 6"$, $\phi 7"$, $\phi 8"$
- REFERENCE "ER" OR "EL" ELBOWS FOR $\geq \phi 9"$

ANGLE _____

- 45° - 90°

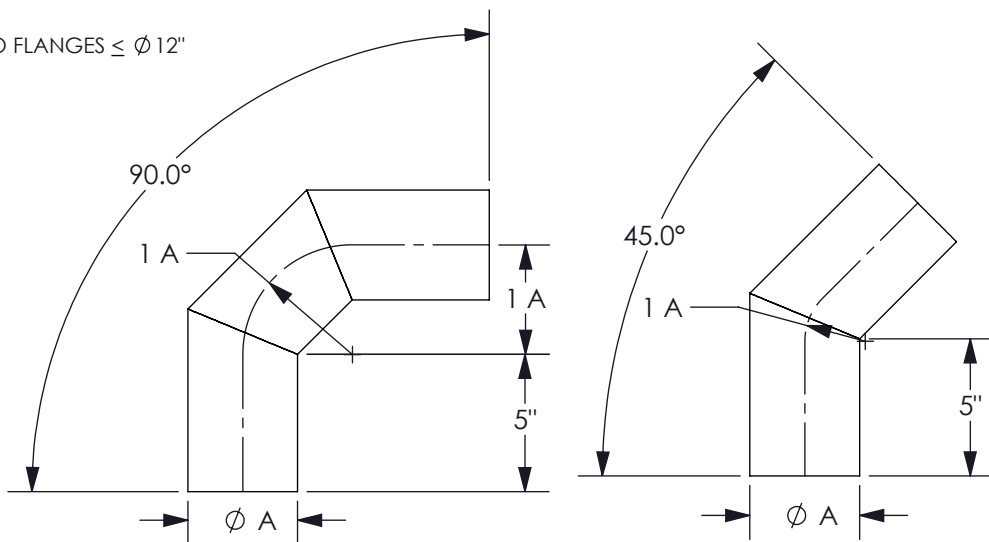
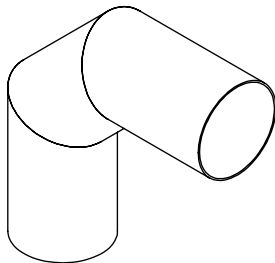
CONNECTION TYPE ON END #1 _____

- SFS - SLOTTED HOLE FLANGE
- SFA - LOOSE ANGLE RING FLANGE
- NF - NO FLANGE
- KICE STANDARD: NO FLANGES $\leq \phi 12"$

CONNECTION TYPE ON END #2 _____

- SFS - SLOTTED HOLE FLANGE
- SFA - LOOSE ANGLE RING FLANGE
- NF - NO FLANGE
- KICE STANDARD: NO FLANGES $\leq \phi 12"$

EG FITTING



DUST DUCT CATALOG

DESCRIPTION:



KICE INDUSTRIES, INC.

5500 MILL HEIGHTS DR. WICHITA, KANSAS 67219
PH: (316) 744-7151 FAX: (316) 744-7355

SHEET 13 OF 13

REV 8-0

TJU
DWN:

07-01-16
DATE:

DUC-5001
DWG. NO.