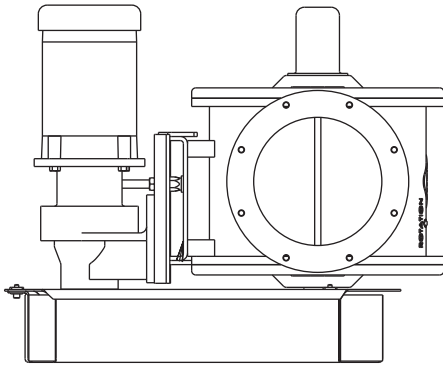


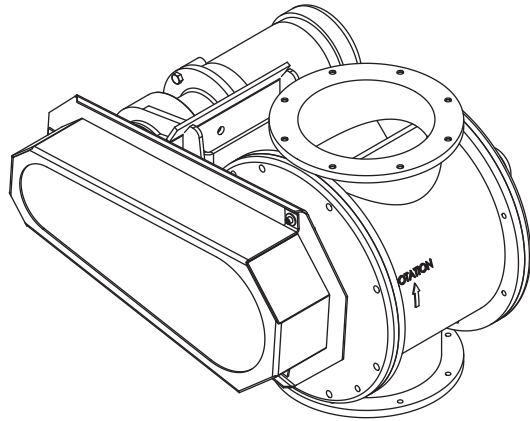


VJ ROUND AIRLOCKS

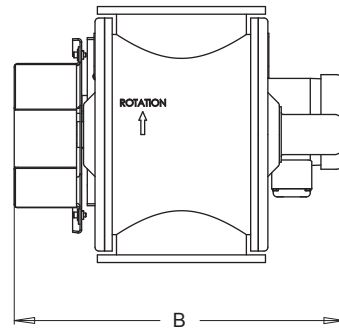
KICE INDUSTRIES, INC. / 5500 Mill Heights Drive / Park City, KS 67219 www.kice.com / sales@kice.com



TOP VIEW



MODEL #	CU. FT / REV	A	B	C	EST. WEIGHT
VJ 6X6	0.063	10 5/16	21 11/16	20 1/4	96
VJ 8X6	0.16	13 1/2	21 11/16	20 11/16	109
VJ 10X8	0.33	13 1/2	21 9/16	23 15/16	147
VJ 12X8	0.55	16 3/4	21 5/8	26 9/16	225



FRONT VIEW

NOTES:

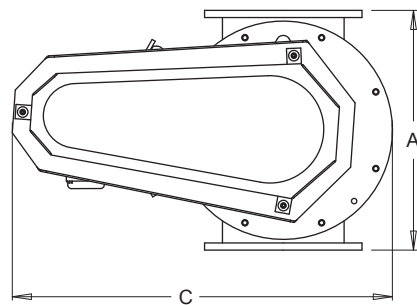
DIMENSIONS SHOWN MAY VARY DEPENDING ON JOB REQUIREMENTS

OPTIONAL GEARMOTOR, DRIVES AND GUARD SHOWN

STANDARD CAST IRON CONSTRUCTION

REFERENCE KICE DATA SHEET DWG# RAV-1007 FOR FLANGE PATTERNS

ROUND INLET AND OUTLET



SIDE VIEW