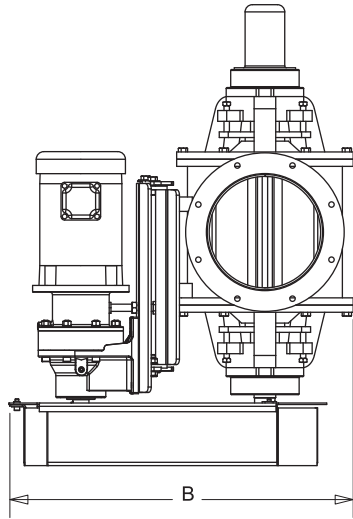


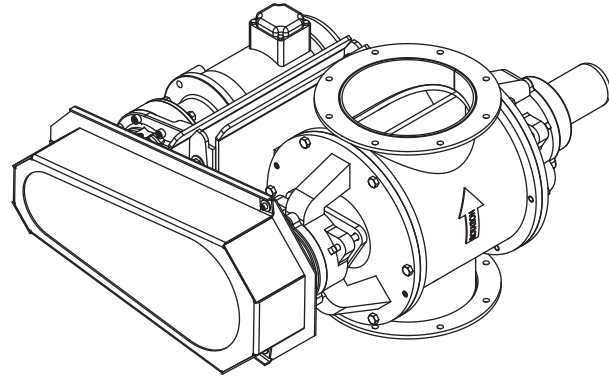


# VBOT ROUND AIRLOCKS

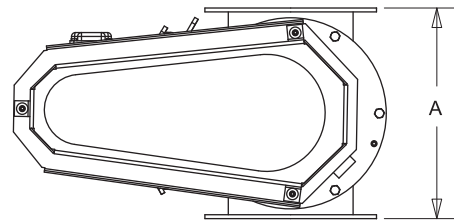
KICE INDUSTRIES, INC. / 5500 Mill Heights Drive / Park City, KS 67219 [www.kice.com](http://www.kice.com) / [sales@kice.com](mailto:sales@kice.com)



TOP VIEW



MODEL #	CU. FT / REV	A	B	C	EST. WEIGHT
VBOT 8X6	0.16	13 1/2	22 1/8	30	100
VBOT 10X8	0.33	13 1/2	25 5/8	31 1/2	193
VBOT 12X8	0.55	16 3/4	25 5/8	32	224
VBOT 14X10	0.67	18 1/2	25 7/8	33 7/8	360
VBOT 16X12	1.10	20 1/2	31 1/2	35 1/2	474
VBOT 18X12	1.45	22 1/2	31 1/8	35 5/8	600
VBOT 18X14	1.67	22 1/2	31 1/8	37 1/2	620
VBOT 20X12	1.90	24 1/2	32	35 3/8	650
VBOT 20X15	2.30	24 1/2	33 1/4	38 3/8	690
VBOT 24X15	3.20	28 1/2	33 5/8	38 3/8	880



FRONT VIEW

**NOTES:**

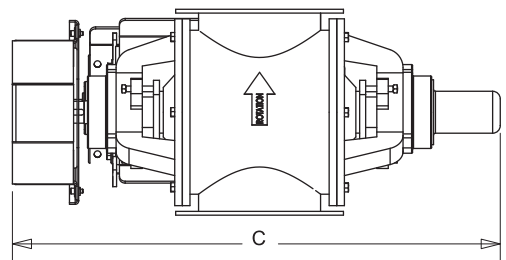
DIMENSIONS SHOWN MAY VARY DEPENDING ON JOB REQUIREMENTS

OPTIONAL GEARMOTOR, DRIVES AND GUARD SHOWN

FABRICATED STEEL CONSTRUCTION

REFERENCE KICE DATA SHEET DWG# RAV 1007 FOR FLANGE PATTERNS

ROUND INLET AND OUTLET



SIDE VIEW