

Kice Airlock Round And Square Flange Dimensions

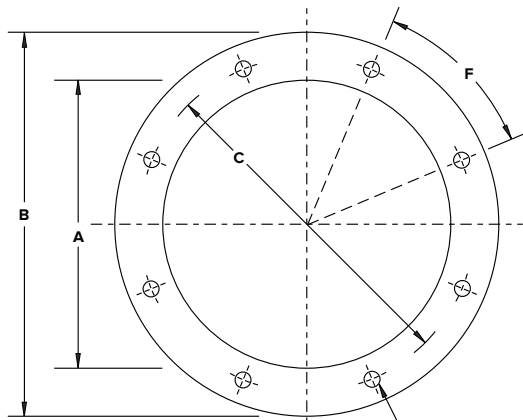
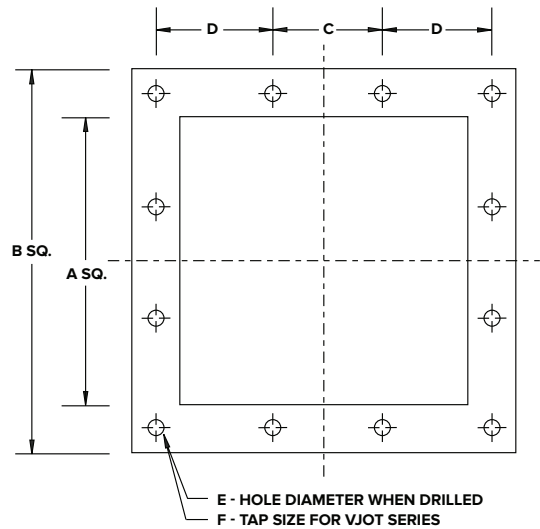
Kice Speed Spout is often connected to Kice Airlocks, Cyclones, and other Kice equipment. Below are the typical flange dimensions for Kice Round & Square VJ & VJOT, Square VD & VDOT, and Round VB & VBOT Kice Airlocks.

VJ & VJOT BODY

MODEL	A	B	C	D	E	F
VJ & VJOT 8X6X6	5.75	9	3.125	2.125	---	.375" UNC
VJ & VJOT 10X8X8	7.75	11	3.25	3.25	---	.375" UNC
VJ & VJOT 12X8X8	7.75	11	3.25	3.25	---	.375" UNC
VJ & VJOT 14X10X10	9.75	13.25	3.875	3.875	---	.375" UNC
VJ & VJOT 16X12X12	11.75	15.25	4.5	4.5	---	.375" UNC
VJ & VJOT 18X12X12	11.75	15.25	4.5	4.5	---	.375" UNC
VJ & VJOT 18X14X14	13.75	17.25	5.25	5.25	---	.375" UNC
VJ & VJOT 20X12X12	11.75	15.25	4.5	4.5	---	.375" UNC
VJ & VJOT 20X15X15	14.75	18.25	5.5	5.5	---	.375" UNC
VJ & VJOT 24X15X15	14.75	18.0625	5.5	5.5	---	.375" UNC
VJ & VJOT 24X20X20						
VJ & VJOT 30X24X24	24	29 1/16	0	4.5	24 HOLES	.625" UNC

VD & VDOT BODY

MODEL	A	B	C	D	E	F
VD 6X6X6	6	9.25	3.125	2.125	.4375	---
VD & VDOT 8X6X6	6	9.25	3.125	2.125	.4375	---
VD & VDOT 10X6X6	6	9.25	3.125	2.125	.4375	---
VD & VDOT 10X8X8	8	11.25	3.25	3.25	.4375	---
VD & VDOT 12X8X8	8	11.25	3.25	3.25	.4375	---
VD & VDOT 14X10X10	10	13.25	3.875	3.875	.4375	---
VD & VDOT 16X12X12	12	15.375	4.5	4.5	.4375	---
VD & VDOT 18X12X12	12	15.375	4.5	4.5	.4375	---
VD & VDOT 18X14X14	14	17.375	5.25	5.25	.4375	---
VD & VDOT 20X12X12	12	15.375	4.5	4.5	.4375	---
VD & VDOT 20X15X15	15	18.375	5.5	5.5	.4375	---
VD & VDOT 24X15X15	15	18.375	5.5	5.5	.4375	---



D - HOLE DIAMETER WHEN DRILLED
E - TAP SIZE FOR VJOT SERIES
G - NUMBER OF BOLT HOLES

VJ & VJOT BODY

MODEL	A	B	C	E	F	G
VJ 6X6	5.75	9	8	---	.375" UNC 45 DEG.	8
VJ & VJOT 8X6	5.75	9	8	---	.375" UNC 45 DEG.	8
VJ & VJOT 10X8	7.75	11	10	---	.375" UNC 45 DEG.	8
VJ & VJOT 12X8						

VB & VBOT BODY

MODEL	A	B	C	D	F	G
VB 6X6	6	9.25	8	.4375	---	45 DEG. 8
VB & VBOT 8X6	6	9.25	8	.4375	---	45 DEG. 8
VB & VBOT 10X6	6	9.25	8	.4375	---	45 DEG. 8
VB & VBOT 10X8	8	11.25	10	.4375	---	45 DEG. 8
VB & VBOT 12X8	8	11.25	10	.4375	---	45 DEG. 8
VB & VBOT 14X10	10	13.25	12	.4375	---	45 DEG. 8
VB & VBOT 16X12	12	15.375	14	.4375	---	45 DEG. 8
VB & VBOT 18X12	12	15.375	14	.4375	---	45 DEG. 8
VB & VBOT 18X14	14	17.375	16	.4375	---	45 DEG. 8
VB & VBOT 20X12	12	15.375	14	.4375	---	45 DEG. 8
VB & VBOT 20X15	15	18.375	16.75	.4375	---	30 DEG. 12
VB & VBOT 24X15	15	18.375	16.75	.4375	---	30 DEG. 12