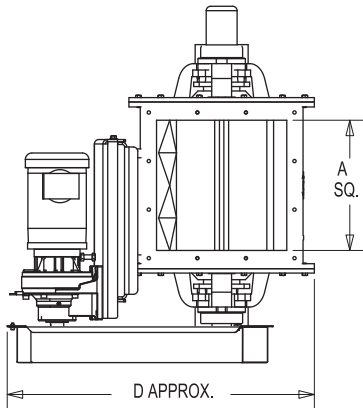




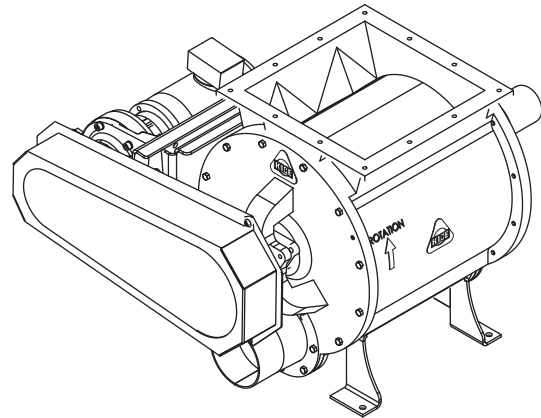
VPOT SQUARE AIRLOCKS

KICE INDUSTRIES, INC. / 5500 Mill Heights Drive / Wichita, KS 67219

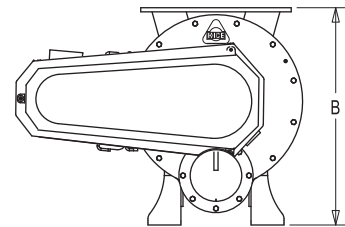
www.kice.com / sales@kice.com



TOP VIEW



| MODEL # | CU. FT / REV | A | B | C | D | E |
|---------------|--------------|--------|--------|---------|--------|---|
| VPOT 10X8X8 | 0.35 | 7 3/4 | 16 3/8 | 31 7/8 | 27 3/4 | 3 |
| VPOT 14X10X10 | 0.81 | 9 3/4 | 21 1/2 | 33 7/8 | 29 3/4 | 4 |
| VPOT 16X15X15 | 1.36 | 14 3/4 | 24 3/8 | 35 9/16 | 34 3/4 | 5 |
| VPOT 18X15X15 | 1.93 | 14 3/4 | 26 3/8 | 38 9/16 | 34 3/4 | 6 |
| VPOT 24X18X18 | 4.27 | 17 3/4 | 34 1/4 | 41 3/8 | 37 3/4 | 8 |



FRONT VIEW

NOTES:

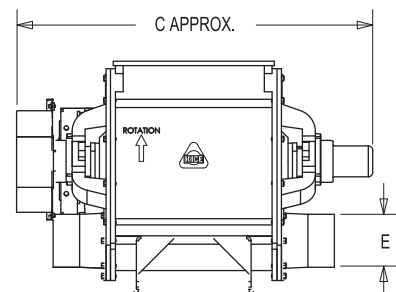
DIMENSIONS SHOWN MAY DEPENDING ON JOB REQUIREMENTS

OPTIONAL GEARMOTOR, DRIVES AND GUARD SHOWN

STANDARD CAST IRON CONSTRUCTION

REFERENCE KICE DATA SHEET
DWG# RAV 1008 FOR FLANGE PATTERNS

SQUARE INLET AND OUTLET



SIDE VIEW