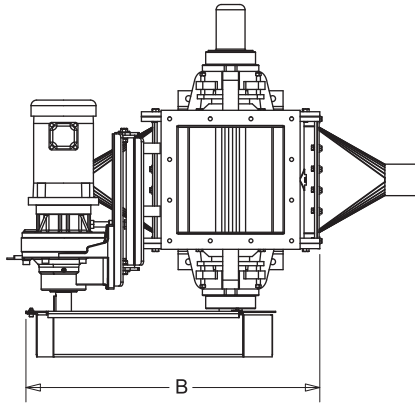




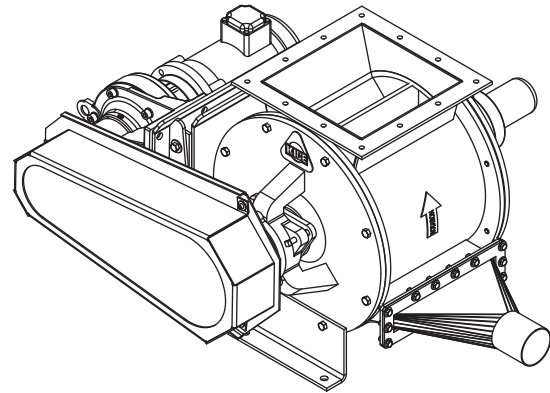
VDOT SQUARE AIRLOCKS

KICE INDUSTRIES, INC. / 5500 Mill Heights Drive / Wichita, KS 67219

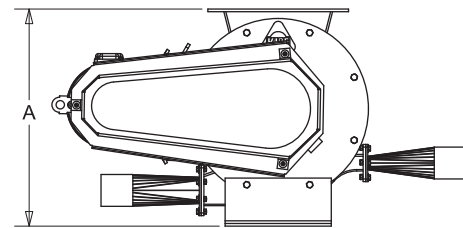
www.kice.com / sales@kice.com



TOP VIEW



MODEL #	CU. FT / REV	A	B	C	EST. WEIGHT
VDOT 8X6X6	0.16	16 3/4	22 1/8	30	170
VDOT 10X8X8	0.33	17 1/2	25 5/8	31 1/2	290
VDOT 12X8X8	0.55	20 1/4	25 5/8	32	360
VDOT 14X10X10	0.67	22 1/4	25 7/8	33 7/8	420
VDOT 16X12X12	1.10	24	31 1/2	35 1/2	550
VDOT 18X12X12	1.45	26 1/8	31 1/8	35 5/8	600
VDOT 18X14X14	1.67	26 1/8	32 1/8	37 1/2	620
VDOT 20X12X12	1.90	28 1/8	32	35 5/8	680
VDOT 20X15X15	2.30	28 1/8	33 1/4	38 3/8	700
VDOT 24X15X15	3.20	31 1/2	33 5/8	38 3/8	770



FRONT VIEW

NOTES:

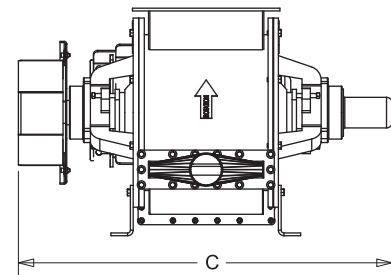
DIMENSIONS SHOWN MAY DEPENDING ON JOB REQUIREMENTS

OPTIONAL GEARMOTOR, DRIVES AND GUARD SHOWN

STANDARD CAST IRON CONSTRUCTION

REFERENCE KICE DATA SHEET
DWG# RAV 1008 FOR FLANGE PATTERNS

SQUARE INLET AND OUTLET



SIDE VIEW