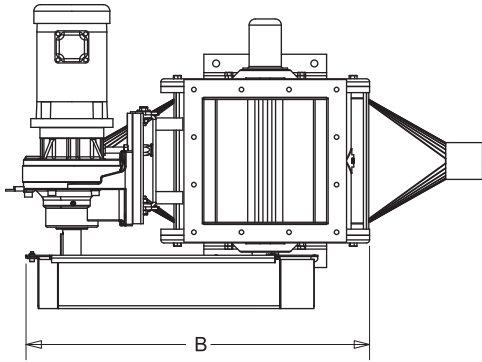




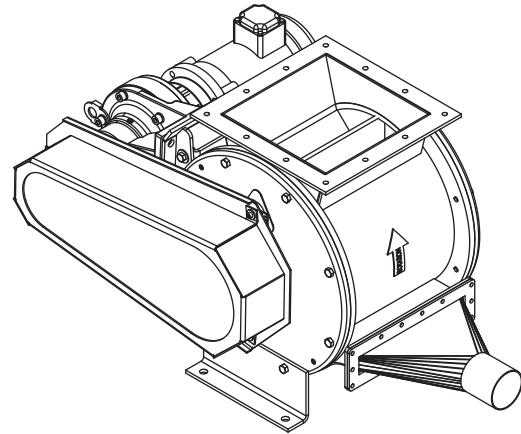
KICE INDUSTRIES, INC. / 5500 Mill Heights Drive / Wichita, KS 67219

www.kice.com / sales@kice.com

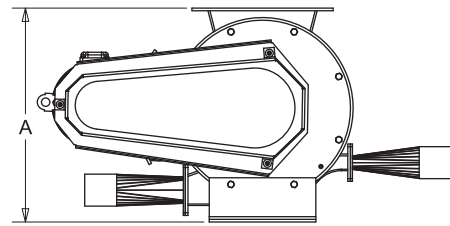
VD SQUARE AIRLOCKS



TOP VIEW



MODEL #	CU. FT / REV	A	B	C	EST. WEIGHT
VD 8X6X6	0.16	16 3/4	19 1/2	19 5/8	102
VD 10X8X8	0.33	17 1/2	22 3/4	21 1/4	220
VD 12X8X8	0.55	20 1/4	23 7/8	21 1/2	270
VD 14X10X10	0.67	22 1/4	29 1/8	23 3/8	340
VD 16X12X12	1.10	24	30 1/4	25 3/8	440
VD 18X12X12	1.45	26 1/8	30 3/8	25 7/8	460
VD 18X14X14	1.67	26 1/8	32 3/8	27 7/8	570
VD 20X12X12	1.90	28 1/8	31 7/8	26	600
VD 20X15X15	2.30	28 1/8	33 1/2	29	620
VD 24X15X15	3.20	31 1/2	32 7/8	29	670



FRONT VIEW

NOTES:

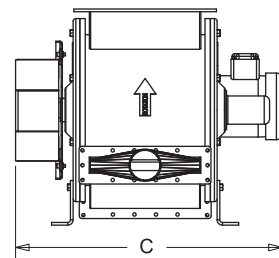
DIMENSIONS SHOWN MAY DEPENDING ON JOB REQUIREMENTS

OPTIONAL GEARMOTOR, DRIVES AND GUARD SHOWN

STANDARD CAST IRON CONSTRUCTION

REFERENCE KICE DATA SHEET
DWG# RAV 1008 FOR FLANGE
PATTERNS

SQUARE INLET AND OUTLET



SIDE VIEW