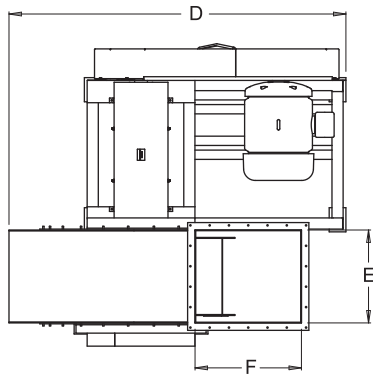




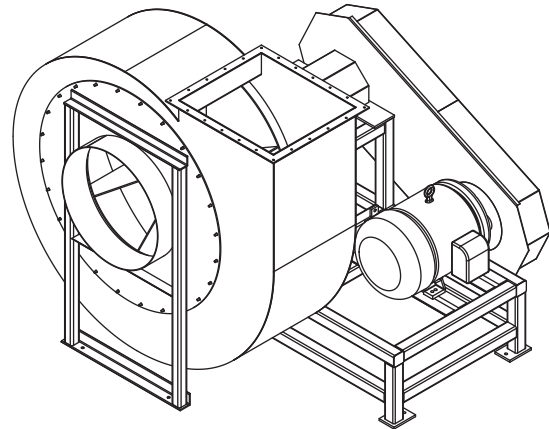
# FC ARR9F FANS

KICE INDUSTRIES, INC. / 5500 Mill Heights Drive / Wichita, KS 67219

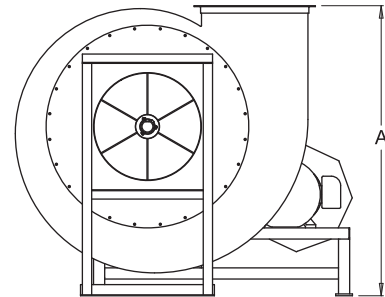
www.kice.com / sales@kice.com



TOP VIEW



MODEL #	A	B	C	D	E	F	EST. WEIGHT
FC - 15	41	24	53 1/16	57 5/16	13	14 7/8	952
FC - 17	46 3/4	27 3/4	67 1/4	66 1/2	15 1/8	17 1/8	1241
FC - 19	51 1/4	30 1/4	68 3/4	68 1/8	16 5/8	18 7/8	1783
FC - 21	56 1/4	32 3/4	72 3/8	73 3/16	18 1/8	20 3/4	2014
FC - 23	62 1/4	36 1/4	76	75	19 3/4	22 7/8	2183
FC - 26	71 1/4	42	78 3/16	87 13/16	21 1/2	25 1/4	2848
FC - 29	78	45 1/2	81 11/16	90 5/8	25	28 5/8	3247
FC - 33	89 1/4	52 1/4	90 13/16	95 5/16	27 5/8	32	4657
FC - 37	98 1/2	57 1/2	94 1/16	103 7/8	30 7/8	36	5865
FC - 41	109 1/2	64	100 1/16	115 9/16	34 1/4	39 1/2	7779
FC - 45	118 5/16	69	103	126 1/4	37 3/8	42 15/16	8801
FC - 49	131	76 1/2	105 3/4	137 7/8	40 1/8	46 3/4	10264



FRONT VIEW

**NOTES:**

DIMENSIONS SHOWN MAY VARY DEPENDING ON JOB REQUIREMENTS

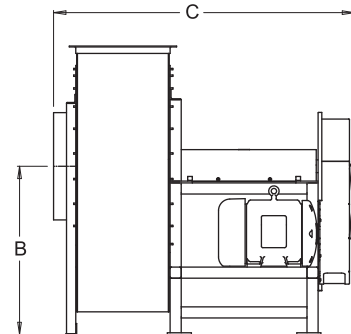
MATERIALS OF CONSTRUCTION PER SPECIFIC JOB

FOOTPRINT UPON REQUEST

MOTOR SIZE PER SPECIFIC JOB

STANDARD ORIENTATION SHOWN, MOTOR LEFT, CW ROTATION, VERTICAL UP DISCHARGE

MOTOR LOCATION, DISCHARGE DIRECTION AND HOUSING ROTATION MAY VARY PER SPECIFIC JOB REQUIREMENTS



SIDE VIEW