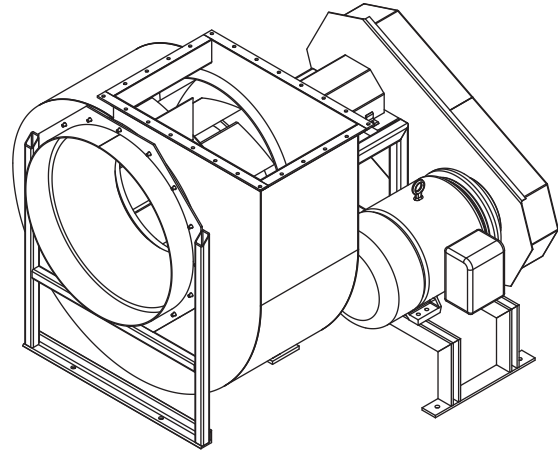
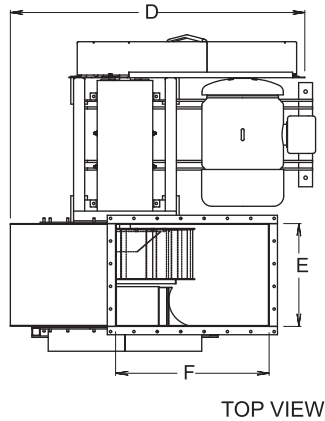




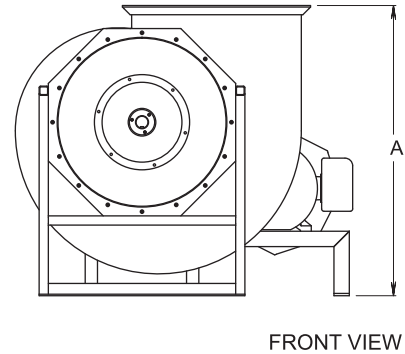
# FA Arr9FB FANS

KICE INDUSTRIES, INC. / 5500 Mill Heights Drive / Wichita, KS 67219

www.kice.com / sales@kice.com



MODEL #	A	B	C	D	E	F	EST. WEIGHT
FA - 18	36 1/4	22 1/4	49 1/8	45 1/16	13 7/8	20 3/4	669
FA - 22	43 1/8	26 1/4	55 7/16	51 3/4	17	25 1/8	824
FA - 24	47 1/4	28 1/4	56 15/16	53	18 1/2	27 5/8	1101
FA - 27	52 3/4	32 1/4	62	58 7/8	20 1/2	30 1/2	1331
FA - 30	57 3/4	35 1/4	68 7/16	83	22 1/2	33 3/4	1433



**NOTES:**

DIMENSIONS SHOWN MAY DEPENDING ON JOB REQUIREMENTS

MATERIALS OF CONSTRUCTION PER SPECIFIC JOB

FOOTPRINT UPON REQUEST

MOTOR SIZE PER SPECIFIC JOB

STANDARD ORIENTATION SHOWN, MOTOR LEFT, CW ROTATION, VERTICAL UP DISCHARGE

MOTOR POSITION, DISCHARGE DIRECTION AND HOUSING ROTATION MAY VARY PER SPECIFIC JOB REQUIREMENTS

