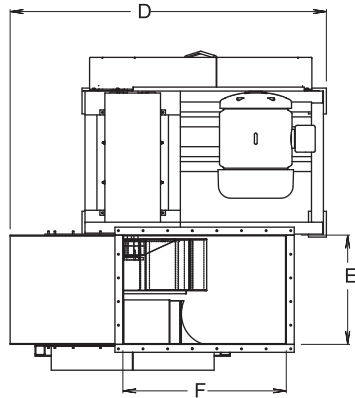




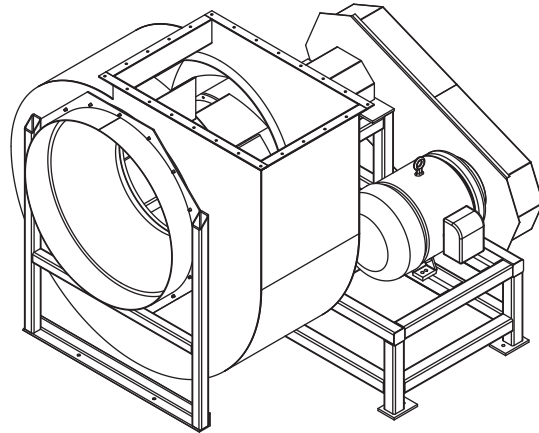
FA Arr9F FANS

KICE INDUSTRIES, INC. / 5500 Mill Heights Drive / Wichita, KS 67219

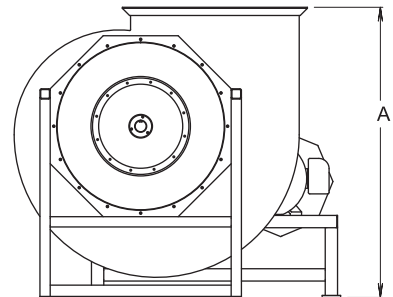
www.kice.com / sales@kice.com



TOP VIEW



MODEL #	A	B	C	D	E	F	EST. WEIGHT
FA - 30	57 3/4	35 1/4	72 1/4	72 3/16	22 1/2	33 3/4	1510
FA - 33	62 3/4	38 1/4	74 5/8	72 11/16	24 7/8	37 1/4	1823
FA - 36	70 3/4	41 3/4	80 1/4	79 5/8	27 1/2	41 1/8	2467
FA - 40	75 3/4	44 3/4	83 1/8	81 1/4	30 3/8	45 1/4	2809



FRONT VIEW

NOTES:

DIMENSIONS SHOWN MAY DEPENDING ON JOB REQUIREMENTS

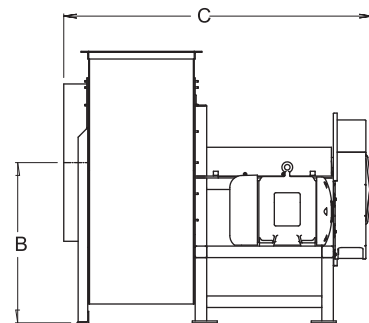
MATERIALS OF CONSTRUCTION PER SPECIFIC JOB

FOOTPRINT UPON REQUEST

MOTOR SIZE PER SPECIFIC JOB

STANDARD ORIENTATION SHOWN, MOTOR LEFT, CW ROTATION, VERTICAL UP DISCHARGE

MOTOR POSITION, DISCHARGE DIRECTION AND HOUSING ROTATION MAY VARY PER SPECIFIC JOB REQUIREMENTS



SIDE VIEW