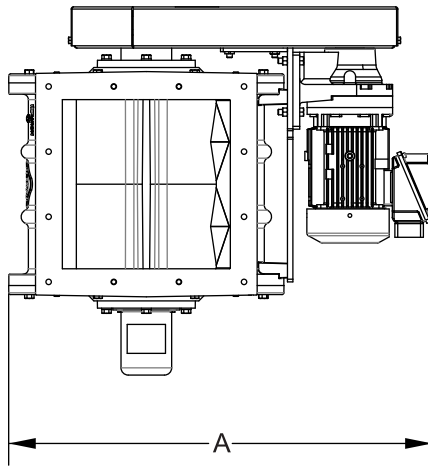




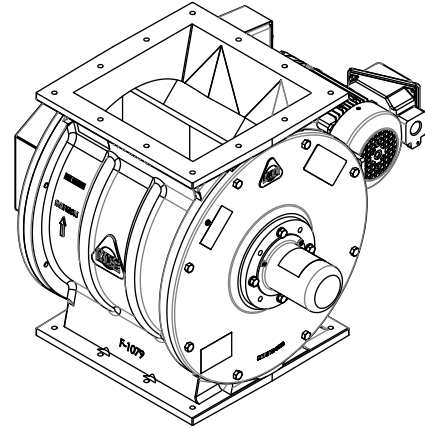
# VJH SQUARE AIRLOCKS

KICE INDUSTRIES, INC. / 5500 Mill Heights Drive / Wichita, KS 67219

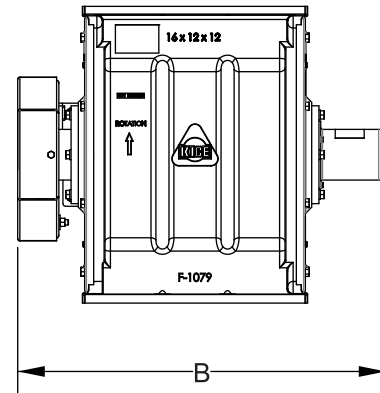
www.kice.com / sales@kice.com



TOP VIEW



MODEL #	CU. FT / REV	A	B	C	EST. WEIGHT
VJH 14x10x10	0.67	27.25	23.425	18.5	439
VJH 16x12x12	1.10	29.25	25.4375	20.5	552
VJH 18x12x12	1.45	31.25	25.5	22.5	675
VJH 18x14x14	1.67	31.25	27.4375	22.5	722
VJH 20x12x12	1.90	34.25	27.4375	24.25	800
VJH 20x15x15	2.30	34.25	29.3125	24.25	893
VJH 24x15x15	3.20	38.3125	29.3125	28.5	1049
VJH 24x20x20	4.70	38.9375	35.5625	29	1391



FRONT VIEW

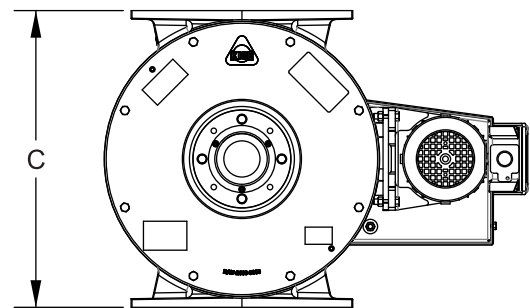
**NOTES:**

DIMENSIONS SHOWN MAY VARY  
DEPENDING ON JOB REQUIREMENTS

STANDARD CAST IRON  
CONSTRUCTION

REFERENCE KICE DATA SHEET  
DWG# RAV-1008 FOR FLANGE  
PATTERNS

SQUARE INLET AND OUTLET



SIDE VIEW