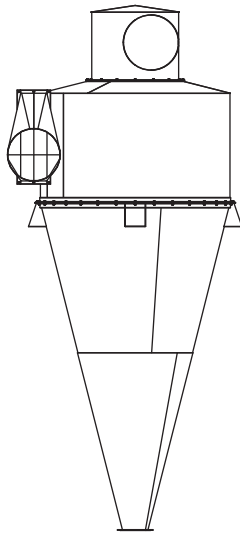




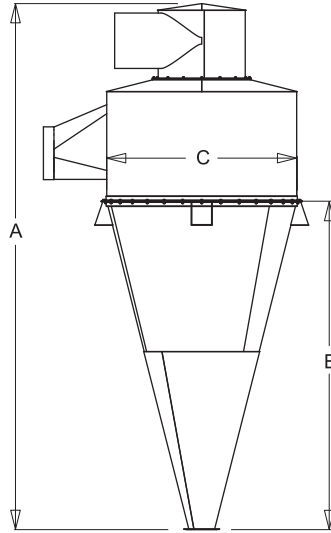
CK CYCLONE COLLECTORS

KICE INDUSTRIES, INC. / 5500 Mill Heights Drive / Wichita, KS 67219

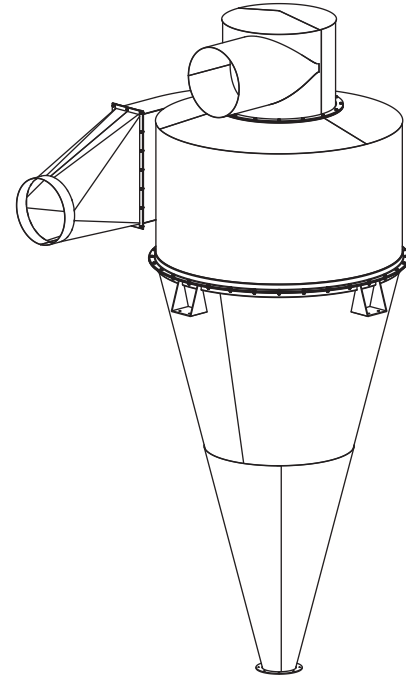
www.kice.com / sales@kice.com



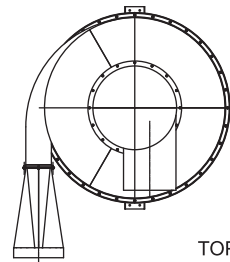
FRONT VIEW



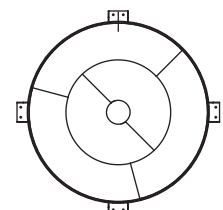
SIDE VIEW



MODEL #	CFM	A	B	C	EST. WEIGHT
CK 18	500	52 11/16	27 1/4	18	129
CK 24	900	70 1/8	40 3/4	24	184
CK 30	1450	89 5/16	54 1/2	30	264
CK 36	2000	107 3/4	68 1/2	36	355
CK 42	2500	127 1/8	82 1/2	42	456
CK 45	2900	137 1/8	89 1/2	45	521
CK 48	3300	143 3/8	89 1/2	48	577
CK 54	4100	162 3/4	103 1/2	54	722
CK 60	5000	169 1/8	104 7/16	60	840
CK 66	6000	186	116 1/2	66	1000
CK 72	7100	199 3/8	124 7/16	72	1215
CK 78	9300	215 3/4	136 1/2	78	1396
CK 84	11000	232 5/8	148 1/2	84	1587
CK 90	13500	248 5/8	160 1/2	90	1798
CK 96	15000	261 7/16	168 1/2	96	2790
CK 102	17200	278 1/16	180 1/2	102	3111
CK 108	19500	294 1/16	192 1/2	108	3413
CK 114	22000	307 9/16	201 1/2	114	3708
CK 120	25000	323 15/16	213 1/2	120	4066
CK 126	30000	342 11/16	225 1/2	126	4572
CK 132	35000	358 15/16	237 1/2	132	4986
CK 138	40000	375 5/16	248 1/2	138	5407
CK 144	45000	391 11/16	260 1/2	144	5847



TOP



BOTTOM

NOTES:

DIMENSIONS SHOWN MAY VARY DEPENDING ON JOB REQUIREMENTS

OPTIONAL SUPPORT FEET SHOWN

OPTIONAL INSPECTION DOOR

FOOTPRINT DIMENSIONS UPON REQUEST